



POLYTRAP 2000L INSTALLATION INSTRUCTIONS

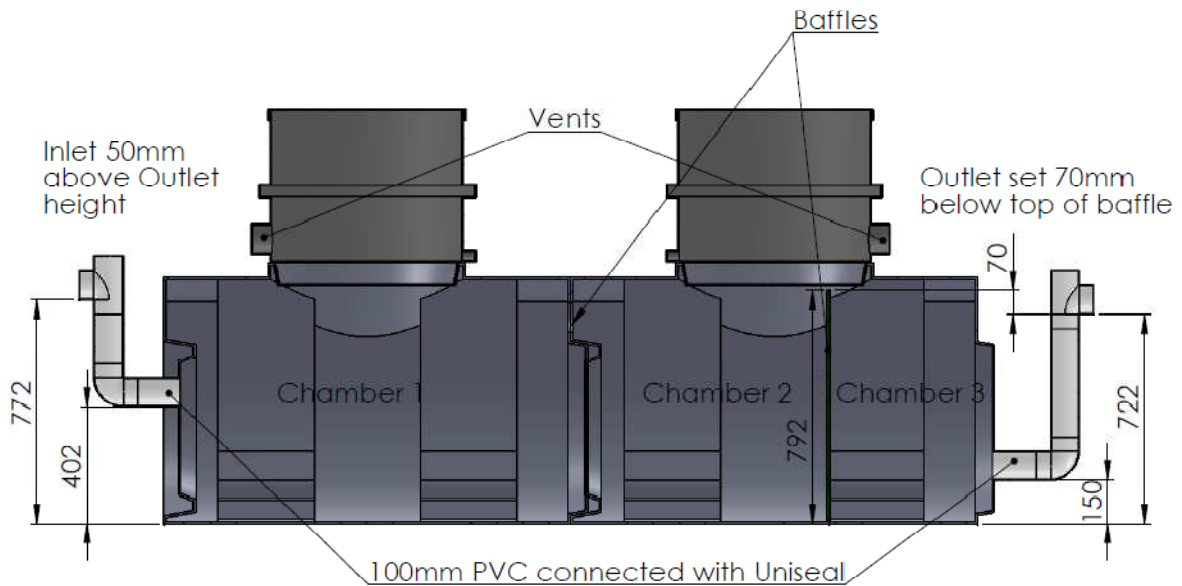
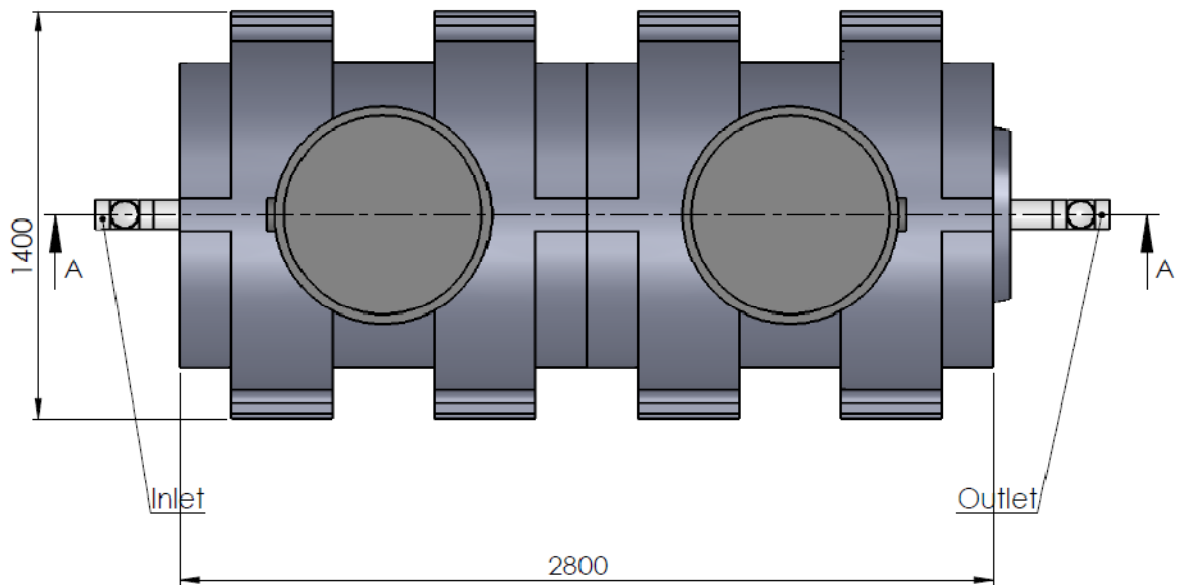
Grease Trap Requirements as set out in Acceptable Solution G13/AS2

A grease trap shall be provided for any waste pipe servicing a sink(s) where the foul water discharges to a soak pit, in buildings other than housing, grease traps shall be provided where waste is likely to convey grease. The capacity of a grease trap shall be at least twice the capacity of all sanitary appliances discharging into it and in no case less than 100 litres in capacity. The installation must meet AS2/ 3.4 - 3.4.7.

Installation Instructions for Below Ground Level

1. Grease Trap Sized at 2000 Litres, both the inlet and outlet use external siphons to set invert heights. We recommend using 100mm PVC pipe and UNI SEAL or similar to connect to tank.
2. The Inlet height is set at 772mm from bottom of tank. All sanitary fixture waste outlets discharging into the grease trap must not be lower than 920mm from bottom of tank.
3. The inlet and outlet must be fitted as per drawing with inspection cleaning access caps, enabling future rodding access in the case of a blockage.
4. Excavate hole to accommodate the grease trap and associated pipe work.
5. Lay a soft bedding compound (ie Pit Sand, or Similar) in the bottom of the hole, giving the base of the grease trap a firm and level foundation to sit on.
6. Put the grease trap in place and half fill with water.
7. Install the remainder of pipe work.
8. It is important to note that the height of the outlet determines the water level within the grease trap, in the case of the Polytrap 2000L the outlet height is fixed at 722mm from bottom of tank.
9. Install a 100mm open to air vent to the local body requirements.
10. It is important the grease trap is filled with water to service level prior to back filling. Back fill the hole around the grease trap with a suitable bedding compound and slightly tamper.

11. It is important that coarse metals or stones are not backfilled against the sides of the grease trap polyethylene wall, as long term ground movement could cause sharp objects to puncture the chamber.



SECTION A-A
SCALE 1 : 20

