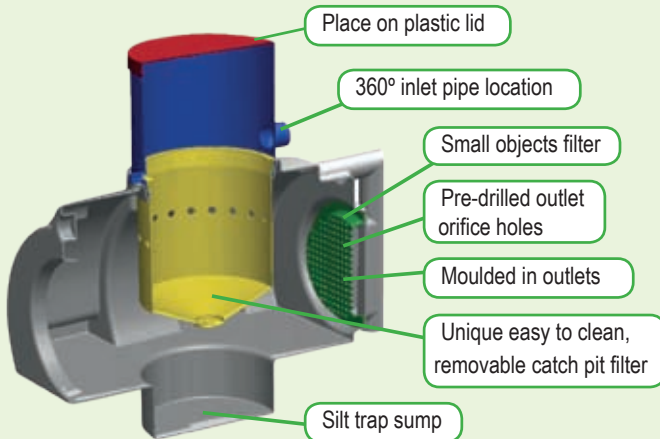




envirogentle

www.rotationalplastics.co.nz

DETENTION TANKS



Tough Plastic Tanks

- Tanks delivered to site pre-assembled, ready to install
- Unique double filter system
- Easily removable catch pit filter
- Light weight
- Cost effective
- Suitable for hard to access places
- Very easy to maintain
- No need for deep holes
- Variety of sizes in 1000 litre increments
- Moulded in inlet and outlet pipes
- Possible to be installed under drive with engineers detail for concrete work

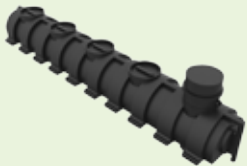
(C/W 600MM RISER AND 300MM SUMP)



H10203 3000 L L 4400 W 1200(1400) H 900(1200)



H10204 4000 L L 5800 W 1200(1400) H 900(1200)



H10205 5000 L L 7200 W 1200(1400) H 900(1200)

H10201 1000 L L 1600 W 1200(1400) H 900(1200)
 H10202 2000 L L 3000 W 1200(1400) H 900(1200)
 *H10206 6000 L L 8600 W 1200(1400) H 900(1200)
 *H10207 7000 L L 10000 W 1200(1400) H 900(1200)
 *H10208 8000 L L 11400 W 1200(1400) H 900(1200)

* Final assembly on site may be required. Contact for details. 1000L modular tank can be configured to suit your environment.

Rotational Plastics NZ Ltd are leading manufacturers of rotationally moulded plastic products, who have been assisting customers with design and manufacturing solutions for over 25 years.

Our New Zealand owned and operated company, also has a proud history of manufacturing and supplying leading brands of products to customers across varied industries, including: manufacturing, materials handling, construction, plumbing, farming, aviation, roading, marine and distribution.

The company has built the business on the principle of customer service and the development of innovative solutions. We also believe in developing strong customer relationships, through exceptional quality and personal service.

GREASE TRAPS

GREASE TRAPS – NO LID



H32020	125 L	L 900	W 265	H 610
	- Optional Galv chequer plate lid - Optional Plastic Lid - Greasetrap 125L - Lid ring only			



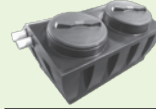
H32030	375 L	L 1200	W 700	H 750
	- Optional cast iron cover - Optional plastic lid (PAIR)			



H32038	500 L	L 1190	W 680	H 980
	- Optional cast iron cover - Optional plastic lid (PAIR)			

H32203	3000 L - C/W 2 Risers	L 4200	W 1200(1400)	H 900(1200)
H32204	4000 L - C/W 2 Risers	L 5600	W 1200(1400)	H 900(1200)
H32205	5000 L - C/W 2 Risers	L 7000	W 1200(1400)	H 900(1200)

GREASE TRAPS



H32012	125 L - C/W Riser	L 950	W 550	H 500
---------------	--------------------------	-------	-------	-------



H32201	1000 L - C/W Riser	L 1400	W 1200(1400)	H 900(1200)
---------------	---------------------------	--------	--------------	-------------

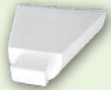


H32202	2000 L - C/W 2 Risers	L 4200	W 1200(1400)	H 900(1200)
---------------	------------------------------	--------	--------------	-------------

RAINHEADS



RAINHEAD 1/2 ROUND - ROUND OUTLET				
H32060	80/90mm	L 200	W 420	H 390



RAINHEAD 1/2 ROUND - RECTANGULAR OUTLET				
H32055	100/50mm	L 200	W 420	H 390



RAINHEAD SQUARE - ROUND OUTLET				
H32075	70mm	L 160	W 300	H 350
H32080A	80mm	L 160	W 300	H 350
H32080	90mm	L 160	W 300	H 350
H32065	100/150mm	L 200	W 400	H 500
H32150	100/150mm	L 210	W 600	H 420
H32600	100/150mm	L 340	W 660	H 580



RAINHEAD SQUARE - HORIZONTAL ROUND OUTLET				
H32151	LHS 80mm	L 160	W 300	H 350
H32152	RHS 80mm	L 160	W 300	H 350



RAINHEAD SQUARE - RECTANGULAR OUTLET				
H32085	90/45mm	L 160	W 300	H 350
H32070	100/50mm	L 200	W 400	H 500



RAINHEAD DROPPER – ROUND OUTLET				
H32635	160/80mm	L 160/80	H 100	
H32630	190/100mm	L 190/100	H 100	



RAINHEAD GUTTER - ROUND OUTLET				
H32625	100mm	L 370	W 440	H 100
(Can have 1 or 2 outlets of 100mm)				



RAINHEAD DIVERTER				
H32046		L 150	W 100	H 150



POOL VALVE HOUSING				
H32050		L 265	H 335	

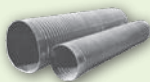
LPG CYLINDER COVER

H32105	Vol 300	L 460	W 400	H
1700				



URINAL CISTERN				
H32100	9 L	L 270	W 170	H 300
H32090	15 L	L 270	W 190	H 340

CULVERT PIPES

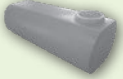




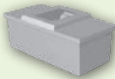





H10107	600mm	L 3275	H 585	
H10108	900mm	L 3260	H 865	

Can't find what you're looking for?
Ask us about our custom-design service.


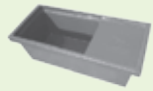




WATER TANKS

Unless stated, all tanks are available with: no lid; a place on lid; or a screw on lid with optional leaf catcher or breather.

	H15660	60 L	L800	W330	H270		H30670	150 L	L575	H680
							H30710	240 L	L715	H720
	H32025	75 L (no lid)	L600	W255	H950		H30780	500 L	L910	H940
							H30620	1000 L	L910	H1720
	H32040	100 L (place-on lid)	L660/400		H480		H30640	1200 L	L1230	H1240
							H30685	2000 L	L1230	H1980
	5044	125 L (Parallel sided rectangular tank)	L900	W400	H300		H30650	1100 L	L1130	H1430
	4025	435 L (Parallel sided rectangular tank)	L1390	W565	H740		H30720	2800 L	L1760	H1460
							H30735	4200 L	L1780	H2030
							H30760	5200 L	L1750	H2440

WATER TROUGHS

Trough and ballcock optional. Lids not included unless stated. Lids 'place on' unless otherwise stated. Prices ex factory unless otherwise agreed.



	H28199	100 L	L 850	W 650	H 390		28204	50 L	L 825	W 365	H 275
	H28225	200 L	L 1200	W 660	H 350						
	H28250	240 L	D 1080	H 400			H28203	50 L - Round	D 650	H 270	
	H28260	350 L	D 1120	H 450			H28235	20 L (Optional Frame)	L 340	W 360	H 250
	H28275	650 L	D 1400	H 550							
	H28210	1600 L	D 1960	H 660							

SPRAY TANKS

Optional screw on lid c/w breather.

	H10112	200 L	D 1355	H 500
	H10118	500 L	D 1355	H 780

JETTER TANKS

	5053-JT400	380 L	L990	W 690	H 680
	5054-JT600	635 L	D 1600	W 680	H 680

Features

- Durable, light-weight and extra strong.
- Full colour range available.
- UV stabilized to maximize outdoor life.
- Hygienic food-grade polyethylene.
- One piece virtually stress-free moulding.
- Smooth, non-stick, easy-clean surface which can be pressure or steam washed with detergents.
- Will not splinter, rot or rust.
- Unaffected by salt, sulphur or lime.

FISH BAFFLES

Culverts have traditionally been pipes that channelled water from one side of a structure to another. Limited consideration was given to the environmental impact on the local habitat. As a result most installations have presented significant challenges to native fish and aquaculture attempting to traverse culverts, this has led to some species no longer spawning and existing upstream of culverts resulting in a change in the ecology of the area.

Rotational Plastics NZ Ltd identified a need to develop a solution to enable the ecological chain to reconnect. Working in conjunction

with the Department of Conservation and NIWA, we developed the fish baffle solution.

Baffles are manufactured from UV resistant low density polyethylene. They are installed in the base of culvert pipes to create breaks in water flow to allow fish and other organisms to make their way upstream.

Installations of our baffles has resulted in marked increases in water life in tributaries to culverts allowing the ecology of the area to remain essentially unchanged.

H24000	Friendly Fish Pass (1350mm culvert)	2440	940	125
H24001	Culvert Baffles - Fish Passage Large (1800)	2400	1800	180
H24002	Culvert Baffles - Fish Passage Small (1300)	2400	1300	180



ROAD BARRIERS

6200	Porta Barrier Pedestrian Barrier Slim	1950	500	990
------	---------------------------------------	------	-----	-----



TYSON TOOLBOXES



H25190	1 metre (incl. tray)	L 1000	W 550	H 540
--------	----------------------	--------	-------	-------



H25235	1.45 metre (incl. tray)	L 1450	W 550	H 545
--------	-------------------------	--------	-------	-------

H25277	1.46 metre Double Lid Wellside (no tray)	L 1460/1060	W 550	H 425
H25215	1.45 metre Wellside (incl. tray)	L 1450/970	W 550	H 550
H25285	1.8 metre (incl. tray)	L 1835	W 555	H 545
	Additional tray (for 1m toolbox)	L 450	W 330	H 45
	Additional tray (for 1.45m + toolbox)	L 465	W 345	H 45